



FRENIC-Lift Home



Your Best Choice for Home Lift!

- Dedicated inverter for home lift application
- User friendly
- Powerful: 200% of rated current for 3s
- Rescue Operation with UPS or Batteries
- Available in 1 ph 200 V (2,2 kW)
- Economic
- Low Maintenance: Long-Life Design
- Compliance with EN 954-1 Cat 3 (One output contactor can be removed)
- EMC filter to fulfil EN 61800-3:2004 and EN 12015:2004

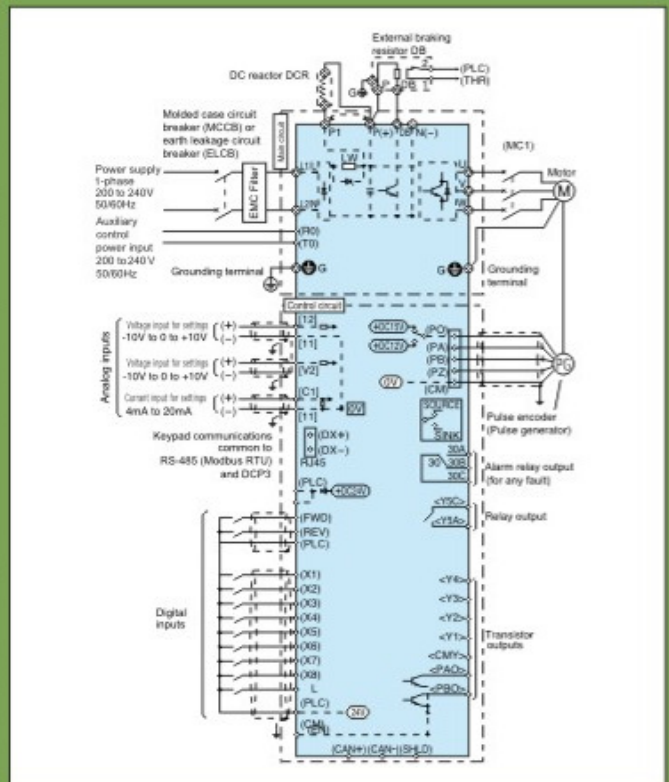


Standard Specifications 1ph 200 V series

=	h fi	r	
s egm kPrLV		M	
m fi	fi z v	M	
cr		SMP	
q zu		s L 00uL Ou TON Og	
q	P z	PP	
n z		RH	
o fi	fi H	TO Og	
q	zq		
A	o u e	r L 00 SOu TON Og	
	o u e	r L 00 SOu TON Og	
	u N	u PO LPTD e T LTD	
	q z	PVMT	
	q	cbq	
	q	z u	S
			RMT
			Sucb
		o u	r L 00 SOu TON Og
		e	u PO LPTD e T LTD
E	o fi z	PWO	
		Q	
	a L DdcH zD	TO	
	q z v	PMV	
i fi fi	z	RR	
cb q	cbqH	n	
		dm PWOOLTLP dm TSLP b R	
d	hdb OT H	ho Q	
b fi		e	
v	NI z	RMO	

q PO g STb fi fi WOD dcM

Basic Connection Diagram



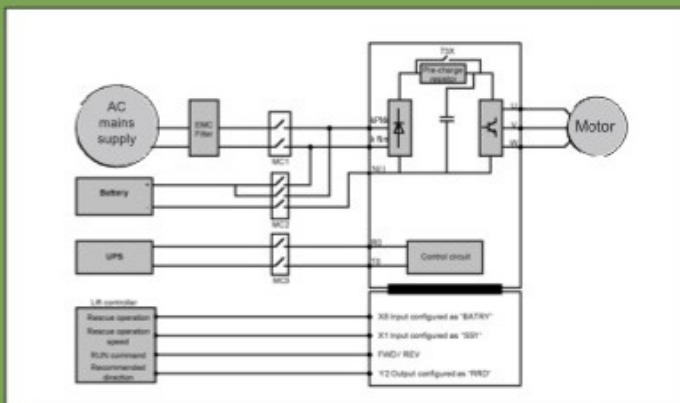
External Dimensions (mm)



Advanced Functions Dedicated to Home Lift Applications

- Static pole tuning for Permanent Magnet Synchronous motor
- Permanent Magnet Synchronous motors can be controlled with incremental encoder without using additional option (Previous Fuji Electric validation of the motor)
- Other encoder types can be used by adding optional cards: Heidenhain EnDat 2.1 encoder, SinCos encoder
- Brake control function
- Main contactors function
- Excellent rollback avoidance
- Short floor operation
- Direct to floor operation
- Anticipated door opening function
- Easy rescue operation with recommended direction signal. Speed and direction can be shown
- 10 different linear acceleration/deceleration ramps
- 14 different S ramps
- Automatic control of the cooling fan: Silent operation and energy saving
- PC loader tool (Loader software free of charge)
- Multifunction keypad with 12 languages is optional
- Ground fault protection
- Input phase lost protection
- Overheat early warning indication signal

Rescue Operation



FUJI ELECTRIC INDIA PRIVATE LTD.

409-410, Meadows, Sahar Plaza, Andheri-Kurla Rd; J.B. Nagar, Andheri (E), Mumbai- 400 059.

Tel: +91-22-4252 4850 / 4010 4870/71, 2820 6383 | Fax: +91-22-4010 4872.

info@fein.fujielectric.com | www.fujielectric.co.in

FE Fuji Electric