

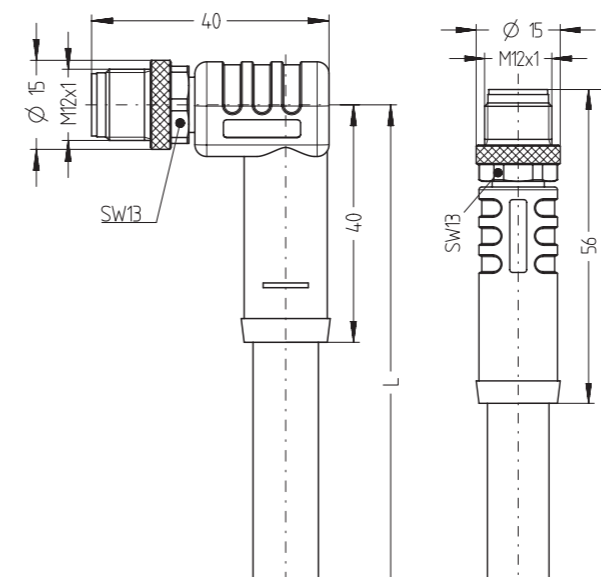
Product line	Cable quality	Version	Pins	Type-designation	Cable length L		
					2m	5m	10m
POWER S-coded	PUR   S5015 <sup>®</sup>	<i>f</i>   ↑	2+PE	PS-AM12K3.002-L /S5015	8064011	8064012	8064013
		<i>f</i>   ↗	2+PE	PS-WM12K3.002-L /S5015	8064014	8064015	8064016
		<i>m</i>   ↑	2+PE	PS-AM12S3.002-L /S5015	8064017	8064018	8064019
		<i>m</i>   ↗	2+PE	PS-WM12S3.002-L /S5015	8064020	8064021	8064022

Other versions, cable-lengths or cable terminals converted with wire-end sleeves are available upon request

### Cable quality

High flexible and oil-resistant, halogen-free control cables for fixed-wired dynamic drag-chain applications ( $a=50\text{m/s}^2$ ) with average loads. The PUR outer jacket is firm and resistant to high mechanical stresses like grinding or abrasion. They are adapted for applications in automation, load circuits of industrial machinery, automatic assembly- and placement machinery, especially in wet areas of machine tools and transfer lines. The cables meet the UL and CSA requirements.

Wire cross-section: S5015<sup>®</sup> |  $1.5\text{mm}^2$



### M12x1 POWER | S-coded 630V<sub>AC</sub>/12A

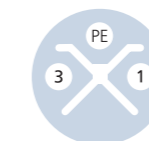
#### Technical data

Rated voltage [U <sub>max</sub> ]	630V <sub>AC</sub>   600V <sub>AC</sub> (UL)
Current load [I <sub>max</sub> ]	12A
Insulation resistance	≥10 <sup>8</sup> Ω
Standards	IEC 61076-2-111
Materials	Grip: TPU, BK Contact carrier: TPU, BK Sealing: FPL /FKM Contacts: CuZn, gold-plated Locking mechanism: CuZn, nickel-plated
Ambient temperature	-30°C...+90°C
Degree of pollution	2
Protection class (installed)	IP67, IP69K
Mechanical life cycle	>100 mating cycles

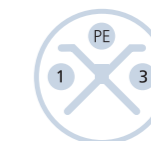
#### Coding S

2+PE (3.002) | female

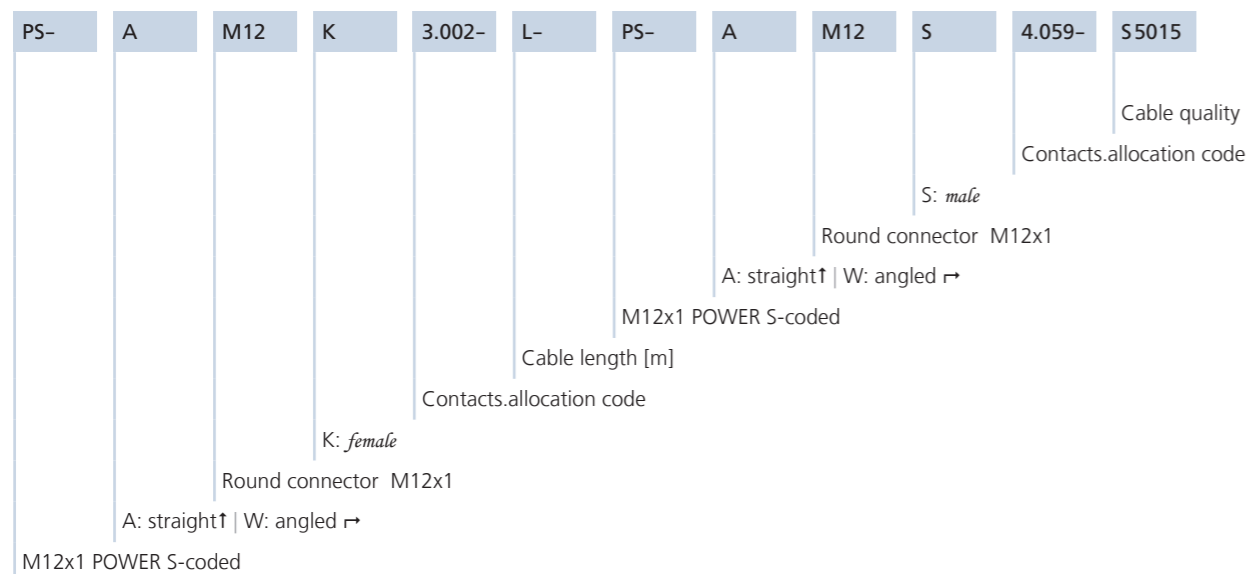
2+PE (3.002) | male



1BN | 2n.c. | 3BU | PE: GNYE



1BN | 2n.c. | 3BU | PE: GNYE



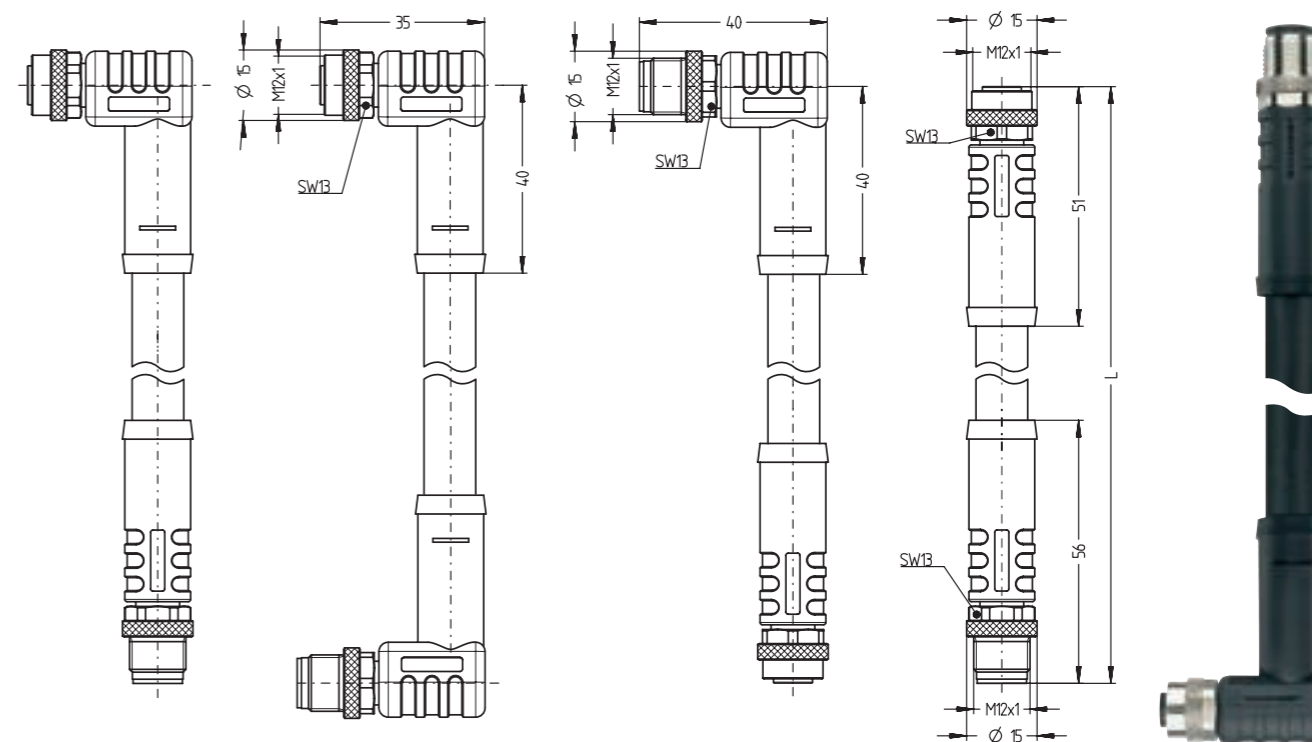
Product line	Cable quality	Version	Pins	Type-designation	Cable length L		
					2m	5m	10m
POWER S-coded	PUR   S5015 <sup>®</sup>	<i>f</i>   ↑__ <i>m</i>   ↑	2+PE	PS-AM12K3.002-L-PS-AM12S3.002/S5015	8063999	8064000	8064001
		<i>f</i>   ↑__ <i>m</i>   ↗	2+PE	PS-AM12K3.002-L-PS-WM12S3.002/S5015	8064002	8064003	8064004
		<i>f</i>   ↗__ <i>m</i>   ↑	2+PE	PS-WM12K3.002-L-PS-WM12S3.002/S5015	8064008	8064009	8064010
		<i>f</i>   ↗__ <i>m</i>   ↗	2+PE	PS-WM12K3.002-L-PS-AM12S3.002/S5015	8064005	8064006	8064007

Other versions, cable-lengths or cable terminals converted with wire-end sleeves are available upon request

### Cable quality

High flexible and oil-resistant, halogen-free control cables for fixed-wired dynamic drag-chain applications (a=50m/s<sup>2</sup>) with average loads. The PUR outer jacket is firm and resistant to high mechanical stresses like grinding or abrasion. They are adapted for applications in automation, load circuits of industrial machinery, automatic assembly- and placement machinery, especially in wet areas of machine tools and transfer lines. The cables meet the UL and CSA requirements.

Wire cross-section: S5015<sup>®</sup> | 1.5mm<sup>2</sup>

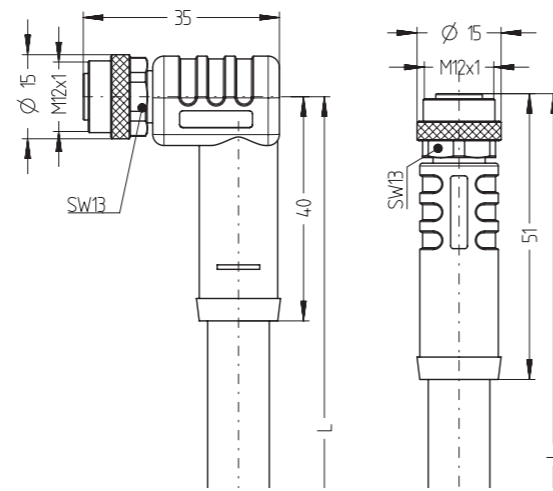


## M12x1 POWER | S-coded 630V<sub>AC</sub>/12A cord sets double ended

Technical data	
Rated voltage [U <sub>max</sub> ]	630V <sub>AC</sub>   600V <sub>AC</sub> (UL)
Current load [I <sub>max</sub> ]	12 A
Insulation resistance	≥ 10 <sup>8</sup> Ω
Standards	IEC 61076-2-111
Materials	Grip: TPU, BK Contact carrier: TPU, BK Sealing: FPL /FKM Contacts: CuZn, gold-plated Locking mechanism: CuZn, nickel-plated
Ambient temperature	-30°C...+90°C
Degree of pollution	2
Protection class (installed)	IP67, IP69K
Mechanical life cycle	>100 mating cycles

Coding S	2+PE (3.002)   female	2+PE (3.002)   male
	1 BN   2 n.c.   3 BU   PE: GNYE	1 BN   2 n.c.   3 BU   PE: GNYE

PT-	A	M12	K	4 -	L /	S5015
						Cable quality
						Cable length [m]
						Contacts.allocation code
						K: female S: male
						Round connector M12x1
						A: straight ↑   W: angled ↗
M12x1 POWER T-coded						



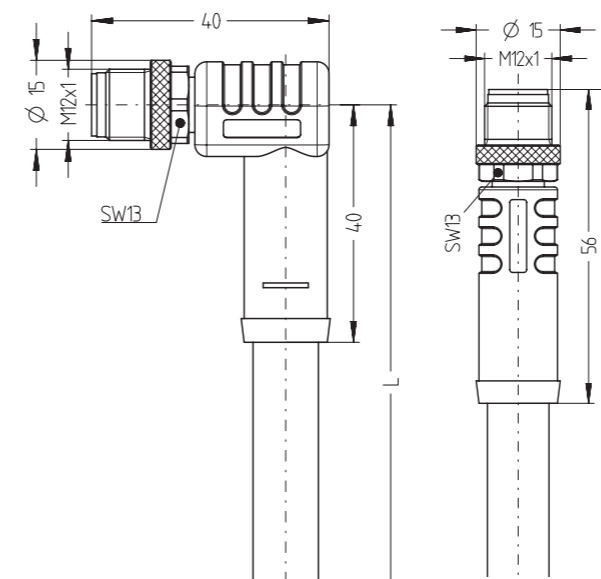
Product line	Cable quality	Version	Pins	Type-designation	Cable length L		
					2m	5m	10m
POWER T-coded	PUR   S5015 <sup>®</sup>	f   ↑	4	PT-AM12K4-L /S5015	8063986	8063987	8063988
			4	PT-WM12K4-L /S5015	8063989	8063990	8063991
		m   ↑	4	PT-AM12S4-L /S5015	8063992	8063993	8063994
			4	PT-WM12S4-L /S5015	8063998	8063997	8063995
	PUR   S5025 <sup>®</sup>	f   ↑	4	PT-AM12K4-L /S5025	8063962	8063963	8063964
			4	PT-WM12K4-L /S5025	8063965	8063966	8063967
		m   ↑	4	PT-AM12S4-L /S5025	8063968	8063969	8063970
			4	PT-WM12S4-L /S5025	8063971	8063972	8063973

Other versions, cable-lengths or cable terminals converted with wire-end sleeves are available upon request

### Cable quality

High flexible and oil-resistant, halogen-free control cables for fixed-wired dynamic drag-chain applications ( $a=50\text{m/s}^2$ ) with average loads. The PUR outer jacket is firm and resistant to high mechanical stresses like grinding or abrasion. They are adapted for applications in automation, load circuits of industrial machinery, automatic assembly- and placement machinery, especially in wet areas of machine tools and transfer lines. The cables meet the UL and CSA requirements.

Wire cross-section: S5015<sup>®</sup> | 1.5mm<sup>2</sup>  
S5025<sup>®</sup> | 2.5mm<sup>2</sup>



### M12x1 POWER | T-coded 63V<sub>DC</sub>/12A

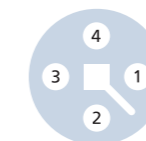
#### Technical data

Rated voltage [U <sub>max</sub> ]	63V <sub>DC</sub>
Current load [I <sub>max</sub> ]	12A
Insulation resistance	≥10 <sup>8</sup> Ω
Standards	IEC 61076-2-111
Materials	Grip: TPU, BK Contact carrier: TPU, BK Sealing: FPL /FKM Contacts: CuZn, gold-plated Locking mechanism: CuZn, nickel-plated
Ambient temperature	-30°C...+90°C
Degree of pollution	2
Protection class (installed)	IP67, IP69K
Mechanical life cycle	>100 mating cycles

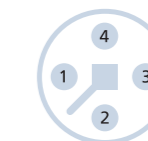
#### Coding T

4 pins | female

4 pins | male



1BN | 2WH | 3BU | 4BK



1BN | 2WH | 3BU | 4BK

